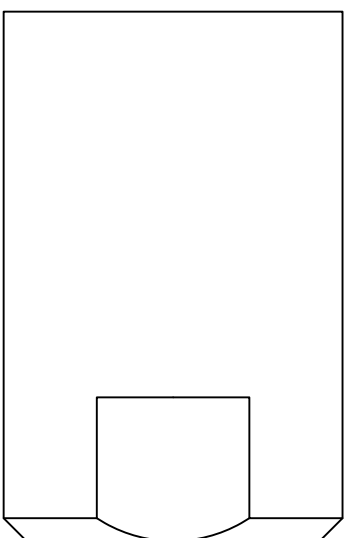
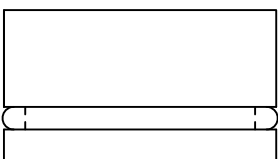
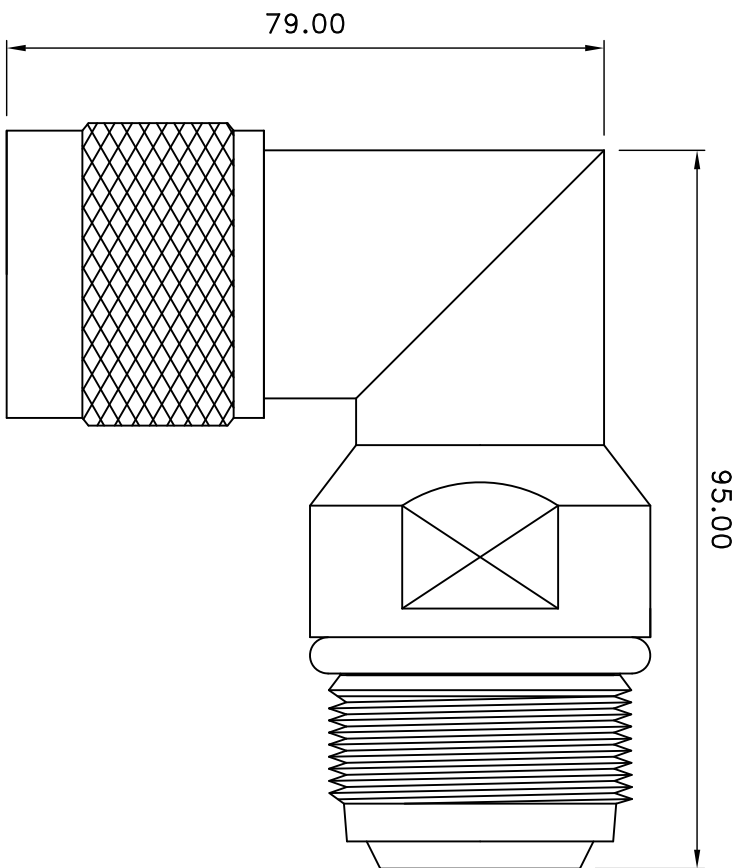


| REV | DATE | DESCRIPTION | DRAWN |
|-----|------|-------------|-------|
| 1   |      |             |       |



| NOTE  | DIMENSION  |
|---|--|
| 1. STRIP ALL BURRS.<br>2. ALL DIMENSIONS ARE AFTER PLATING.<br>3. DIAMETERS ON COMMON CENTERS, TO BE CONCENTRIC WITHIN 0.1 T.I.R.<br>4. CHAMFER 1ST & LAST HEADS 45°<br>5. BREAK ALL CORNERS & EDGES CO.15 MAX. | UNLESS OTHERWISE NOTED TOLERANCES<br>X = ±0.3<br>0.X = ±0.2<br>0.XX = ±0.1 |



華耀科技有限公司  
Hua Yao Technologies co.,Ltd

| TITLE                    |            | DRAWING NO. |  |
|--------------------------|------------|-------------|--|
| N MALE RIGHT ANGLE CLAMP |            |             |  |
| APPROVED                 | DRAWN DATE |             |  |
| CHECKED                  | SCALE      |             |  |
| DRAWN                    | UNIT       |             |  |
| ALICE                    | mm         | GL          |  |